

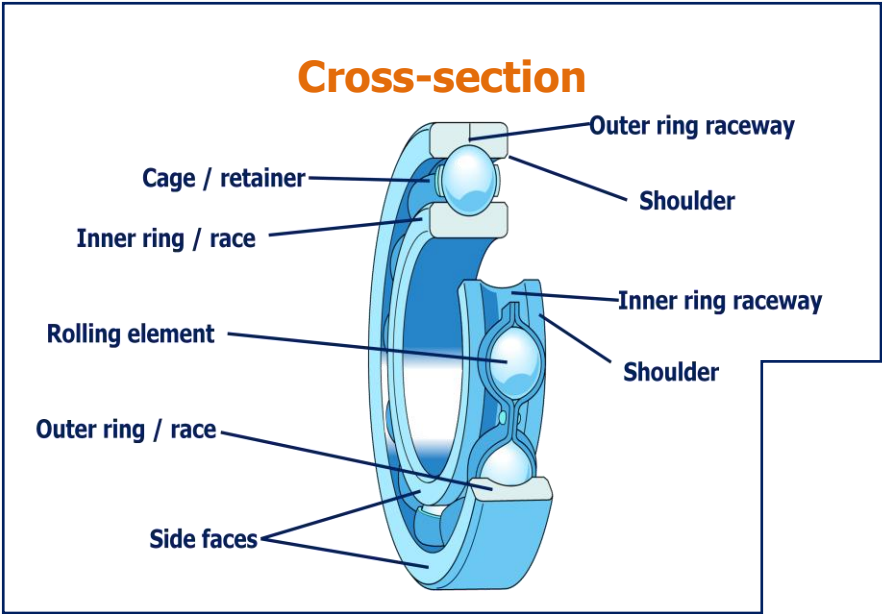


# Ball Bearing Construction Reference Guide\*

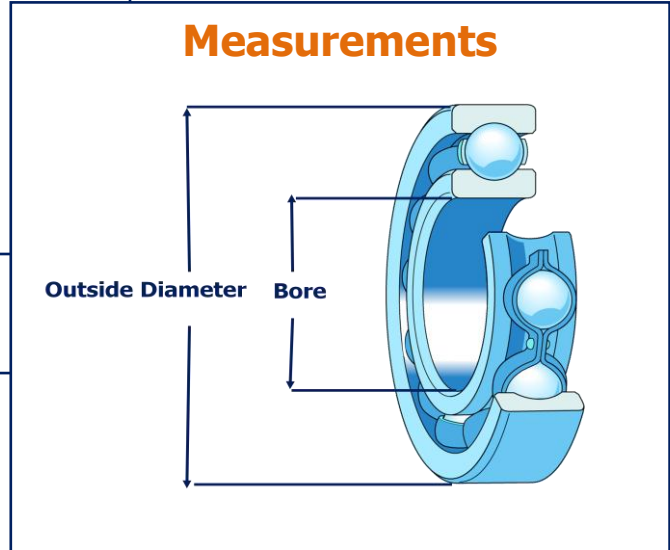
Tel: 905-281-3462  
Fax: 905-279-6137  
shop@fargoindustrial.ca  
www.fargoindustrial.ca

\*Fargo provides this chart for general reference only. Consult your engineering professional for specific questions and uses.

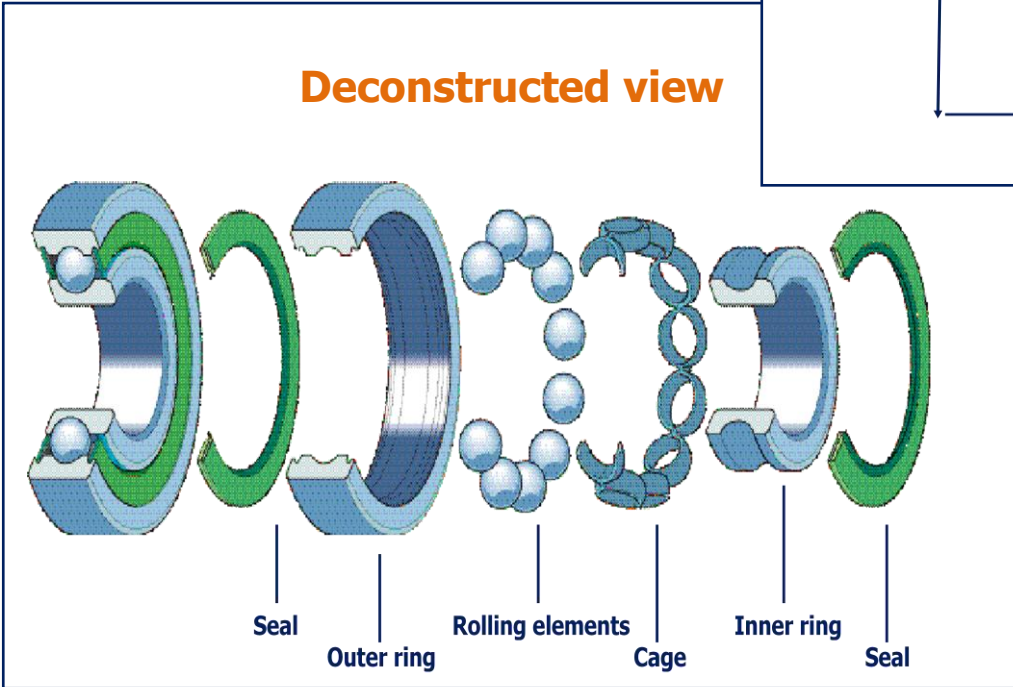
## Cross-section



## Measurements



## Deconstructed view



**Service Value Reliability.  
Today and Tomorrow**